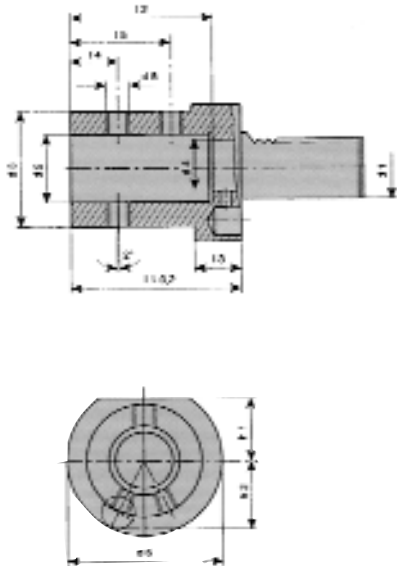


E1 Toolholder for Cylindrical Tools Form E1 - Tools with Inner Cooling Systems



**DIN.69880 Part 6
VDI 3425 Sheet 2**

Ordering No.	D1	D2	D3	D4	D5	D6	H1	H2	L1	L2	L3	L4	a
VDI-20-E1-12	20	12	36	8	M 10x1	50	-	23	67	54	18	15	35
VDI-20-E1-14	20	14	36	10	M 10x1	50	-	23	67	54	18	15	35
VDI-20-E1-16	20	16	36	12	M 10x1	50	-	23	67	54	18	15	35
VDI-20-E1-18	20	18	40	12	M 10x1	50	-	23	67	54	18	15	35
VDI-20-E1-20	20	20	40	12	M 10x1	50	-	23	67	54	18	15	35
VDI-20-E1-25	20	25	45	17	M 12x1	50	-	23	71	59	18	17	40
VDI-30-E1-12	30	12	36	8	M 10x1	68	28	30	67	54	22	15	35
VDI-30-E1-14	30	14	36	10	M 10x1	68	28	30	67	54	22	15	35
VDI-30-E1-16	30	16	36	12	M 10x1	68	28	30	67	54	22	15	35
VDI-30-E1-18	30	18	40	12	M 10x1	68	28	30	67	54	22	15	35
VDI-30-E1-20	30	20	40	12	M 10x1	68	23	30	67	54	22	15	35
VDI-30-E1-25	30	25	45	17	M 12x1	68	28	30	71	59	22	17	40
VDI-30-E1-32	30	32	52	24	M 12x1	68	28	30	75	63	22	17	44
VDI-30-E1-40	30	40	60	32	M 16x1	68	28	30	90	73	22	22	50
VDI-40-E1-12	40	12	36	8	M 10x1	83	32.5	-	67	54	22	15	35
VDI-40-E1-14	40	14	36	10	M 10x1	83	32.5	-	67	54	22	15	35
VDI-40-E1-16	40	16	36	12	M 10x1	83	32.5	-	67	54	22	15	35
VDI-40-E1-18	40	18	40	12	M 10x1	83	32.5	-	67	54	22	15	35
VDI-40-E1-20	40	20	40	12	M 10x1	83	32.5	-	67	54	22	15	35
VDI-40-E1-25	40	25	45	17	M 12x1	83	32.5	-	75	59	22	17	40
VDI-40-E1-32	40	32	52	24	M 12x1	83	32.5	-	75	63	22	17	44
VDI-40-E1-40	40	40	60	32	M 16x1	83	32.5	-	90	73	22	22	54
VDI-40-E1-50	40	50	70	42	M 16x1	83	32.5	-	100	83	22	24	60
VDI-50-E1-16	50	16	36	12	M 10x1	98	35	-	67	54	22	15	35
VDI-50-E1-20	50	20	40	12	M 10x1	98	35	-	67	54	30	15	35
VDI-50-E1-25	50	25	45	17	M 12x1	98	35	-	80	59	30	17	40
VDI-50-E1-32	50	32	52	24	M 12x1	98	35	-	80	63	30	17	44
VDI-50-E1-40	50	40	60	32	M 16x1	98	35	-	90	73	30	22	50
VDI-50-E1-50	50	50	70	42	M 16x1	98	35	-	100	83	30	24	69
VDI-60-E1-16	60	16	36	12	M 10x1	123	42.5	-	67	54	30	15	35
VDI-60-E1-20	60	20	40	12	M 10x1	123	42.5	-	80	54	30	15	35
VDI-60-E1-25	60	25	45	17	M 12x1	123	42.5	-	80	59	30	17	40
VDI-60-E1-32	60	32	52	24	M 12x1	123	42.5	-	80	63	30	17	44
VDI-60-E1-40	60	40	60	32	M 16x1	123	42.5	-	90	73	30	22	50
VDI-60-E1-50	60	50	70	42	M 16x1	123	42.5	-	100	83	30	24	60