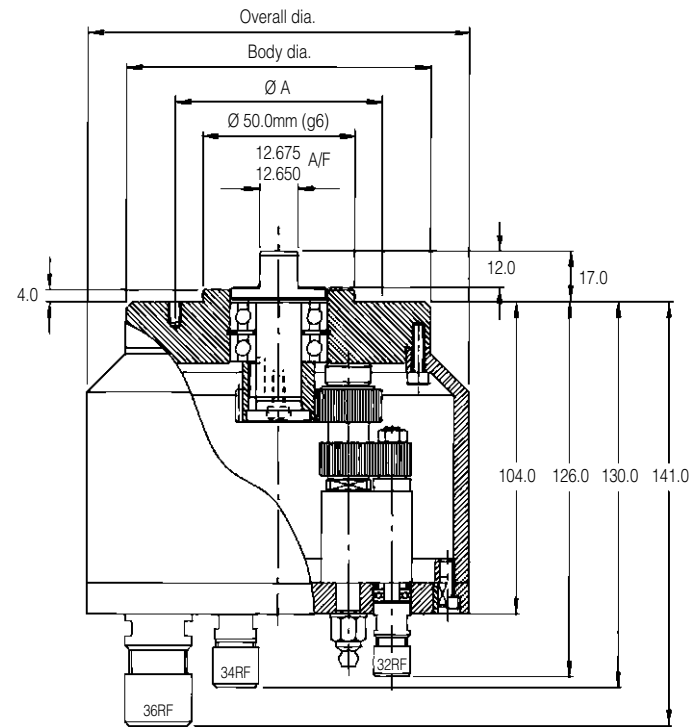


30 RANGE

MAIN BODY ASSEMBLY

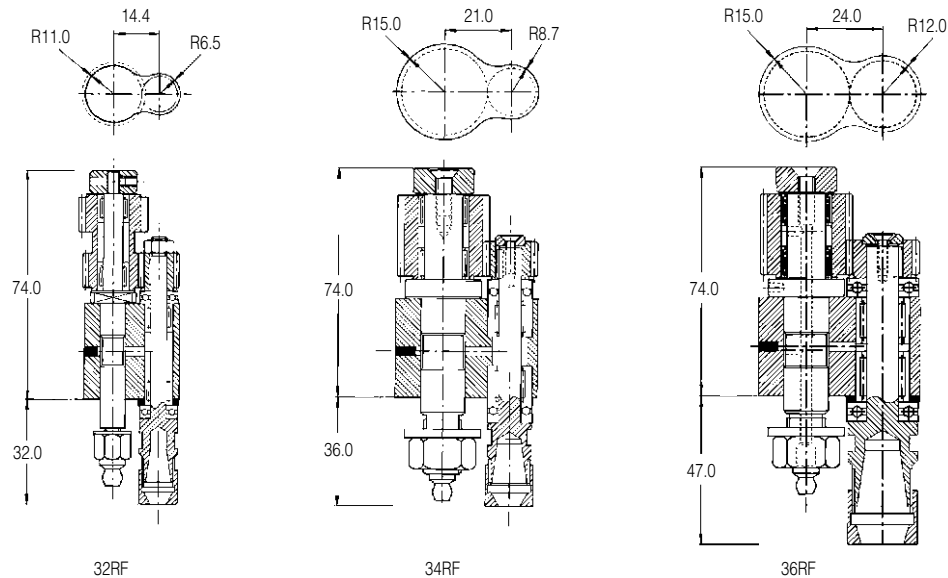
Dimensions (mm)				
Main Body Assembly	Overall dia.	Body dia.	A (8 holes equispaced)	Unit Weight (kg)
30 BC 21	100.0	90.0	Ø68.0mm (M4 x 8 d'p)	1.25
30 BC 24	100.0	90.0	Ø68.0mm (M4 x 8 d'p)	1.25
30 CD 30	125.0	100.0	Ø68.0mm (M4 x 8 d'p)	1.65
30 CD 36	125.0	100.0	Ø68.0mm (M4 x 8 d'p)	1.65
30 DE 42	150.0	125.0	Ø68.0mm (M4 x 8 d'p)	2.00



SPINDLE ASSEMBLY

Spindles			
Spindle Assembly	Max. Tool dia.	Max. Speed r.p.m.	Unit Weight (kg)
32RF	5.0	6000	0.2
34RF	7.0	5000	0.3
36RF	10.0	5000	0.6

Minimum Centre Distances			
Spindle Assembly	32RF	34RF	36RF
32RF	13.0	15.2	18.5
34RF	15.2	17.4	20.7
36RF	18.5	20.7	24.0



The 32, 34 and 36 spindle assemblies can be fitted to the same head. This is useful in overcoming possible close centre problems. A further advantage is the higher gear ratio of the smaller spindles, which helps if drilling large and small holes at the same time.

SPECIFICATIONS

Maximum and Minimum Pitch Circle Diameters with Spindles Equispaced

Main Body Assembly	Spindle Assembly	No. of Spindles	32RF								34RF								36RF								
			2	3	4	5	6	7	8	2	3	4	5	6	7	8	2	3	4	5	6	7	8				
30 BC 21	Max. P.C. Ø	2	65.0	65.0	65.0	65.0	65.0			60.6	60.6						54.0										fig.1
		3			38.8	52.2	58.4																				
	Min. P.C. Ø	2																									
		3	15.0																								fig.4
		4																									fig.5
		5																									
		6																									
		7																									
		8																									
			Head Ratio: 1.65:1								Head Ratio: 1.40:1								Head Ratio: 1.00: 1								
30 BC 24	Max. P.C. Ø	2	65.0	65.0	65.0	65.0	65.0																				fig.1
		3																									fig.2
	Min. P.C. Ø	2																									fig.3
		3	15.2	15.2																							fig.4
		4																									fig.5
		5																									
		6																									
		7																									
		8																									
			Head Ratio: 1.89:1																								
30 CD 30	Max. P.C. Ø	2	78.8	78.8	78.8	78.8	78.8			85.6	85.6	85.6	85.6				79.0	79.0	79.0								fig.1
		3																									fig.2
	Min. P.C. Ø	2																									fig.3
		3																									fig.4
		4																									fig.5
		5																									
		6																									
		7																									
		8																									
			Head Ratio: 2.36:1								Head Ratio: 2.00:1								Head Ratio: 1.43: 1								
30 CD 36	Max. P.C. Ø	2	84.8	84.8	84.8	84.8	84.8			85.6	85.6	85.6	85.6				79.0	79.0	79.0								fig.1
		3																									fig.2
	Min. P.C. Ø	2																									fig.3
		3																									fig.4
		4																									fig.5
		5																									
		6																									
		7																									
		8																									
			Head Ratio: 2.83:1								Head Ratio: 2.40:1								Head Ratio: 1.71: 1								
30 DE 42	Max. P.C. Ø	2	90.8	90.8	90.8	90.8	90.8			110.6	110.6	110.6	110.6	110.6			104.0	104.0	104.0	104.0	104.0						fig.1
		3																									fig.2
	Min. P.C. Ø	2																									fig.3
		3																									fig.4
		4																									fig.5
		5																									
		6																									
		7																									
		8																									
			Head Ratio: 3.30:1								Head Ratio: 2.80:1								Head Ratio: 2.00: 1								

